

For Residential and Commercial Applications

Job Name		Engineer / Architect	
Job Location		Wholesaler	
Submittal Date		Contractor	

70 Series Compression x Female Iron Pipe Elbows

Use: For use with instrumentation, hydraulic and pneumatic systems. Designed for use with aluminum, copper and plastic tubing. Not intended for use with steel tubing

* Plastic tubing requires a plastic insert and a sleeve (see 60PT & 63PT submittal forms for details)

Design Features:

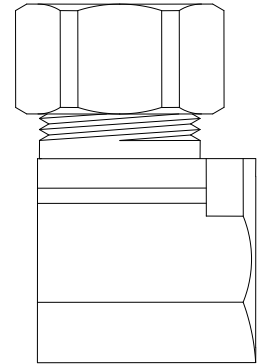
- **Little to no tube preparation.** Compression fittings do not require flaring, soldering or other types of tube preparation
- **Available in a broad range of sizes**

Operating Specifications:

Temperature: -65° - 250° F at maximum operating temperatures

Working Pressure: see chart below

Vibration: Fair vibration resistance



WORKING PRESSURE		
PSI	Tube O.D.	Tube Wall (Inches)
400	1/8	0.030
400	3/16	0.030
300	1/4	0.030
300	5/16	0.032
200	3/8	0.032
200	1/2	0.032
150	5/8	0.035
100	3/4	0.035
75	7/8	0.035

MATERIAL SPECIFICATIONS	
Fitting Body	C36000 brass
Compression Sleeve	C36000 brass
Compression Nut	C36000 brass
Option	Chrome plating

Standard Fitting Part Listing:

- 70-2-2 1/8" OD Tube x 1/8" F.I.P.
- 70-4-4 1/4" OD Tube x 1/4" F.I.P.
- 70-6-6 3/8" OD Tube x 3/8" F.I.P.
- 70-6-6 C 3/8" OD Tube x 3/8" F.I.P., chrome plated,

This specification and all information contained herein is the confidential and exclusive property of BrassCraft Manufacturing, and shall not be disclosed to others without the written consent of BrassCraft. This specification must be returned to BrassCraft if requested.



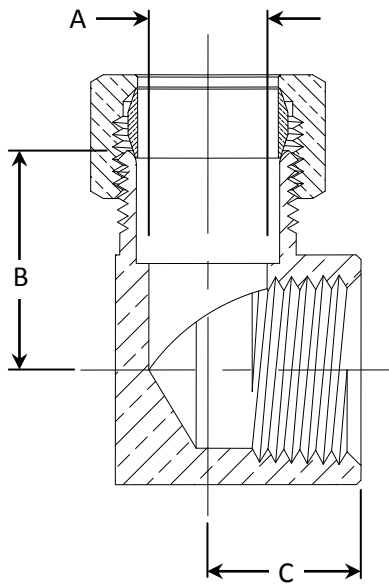
70 Series Compression x Female Iron Pipe Elbows

Standard Fitting Part Listing (con't):

- 70-6-6 CB 3/8" OD Tube x 3/8" F.I.P., chrome plated, bulk
- 70-6-6-1 B 3/8" OD Tube x 3/8" F.I.P. - body only, bulk
- 70-6-6-1 CB 3/8" OD Tube x 3/8" F.I.P. - body only, chrome plated, bulk
- 70-8-8 1/2" OD Tube x 1/2" F.I.P.
- 70-8-8 C 1/2" OD Tube x 1/2" F.I.P., chrome plated
- 70-8-8-1 B 1/2" OD Tube x 1/2" F.I.P. - body only, bulk
- 70-8-8-1 CB 1/2" OD Tube x 1/2" F.I.P. - body only, chrome plated, bulk

Compliant Part Listing:

Currently not available in compliant brass, contact your BrassCraft sales representative for more information



PART DIMENSIONS (Inches)			
Model	DIA. A	DIM. B	DIM. C
70-2-2	.094	.69	.56
70-4-4	.188	.75	.50
70-6-6	.323	.77	.47
70-8-8	.375	.82	.71